



Explosion-Proof Fittings Series



● **AXC Series.....pgs. 152-153**
Conduit Outlet Boxes

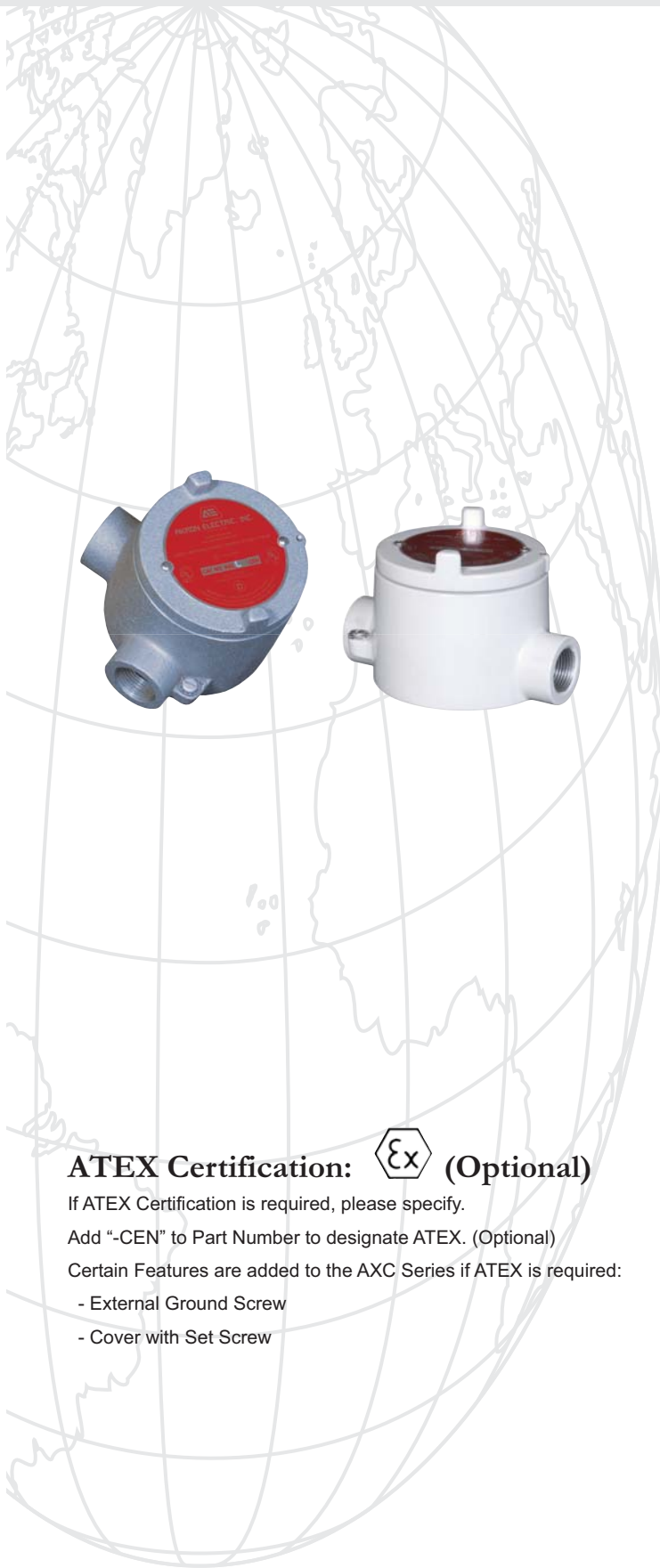
● **GR Series.....pgs. 154-155**
Conduit Outlet Bodies

● **EYS Series.....pgs. 156-157**
Sealing Fittings

● **TU Series.....pg. 158**
Conduit Unions

● **XBD-50 Series.....pg. 159**
Breather / Drain

Explosion-Proof Conduit Outlet Boxes “AXC Series”



“Akron Conduit Fittings are your best source for a high-quality product at a great price.”

Features:

- Eight different Hub Arrangements available
- Tapered threaded hubs to provide ground continuity
- Smooth integral hub bushing to protect conductor insulation when pulling
- Threaded cover openings
- Surface covers furnished with boxes
- Neoprene O-Ring gasket and ground screw standard
- Light Weight corrosion resistant copper-free aluminum
- Attractive sandblast finish

Applications:

- Provide protection against explosion in Hazardous Areas
- Provide access for maintenance
- Change conduit direction
- Connect Lengths of conduit
- Use for pulling or splicing of wire



Certificate
Number
03.059.1

**ISO
9001 With Design**

Approvals:

- UL & cUL - File No. 94590
- ATEX - File No. 97D.122602U, ExdIIC, IP66

Compliances:

- Class I, Div. 1 & 2, Groups A, B, C & D
- Class II, Div 1 & 2, Groups E, F & G
- Class III
- NEMA 4, 7 & 9

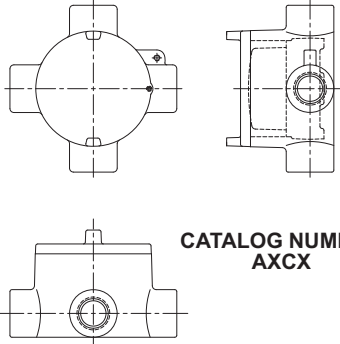
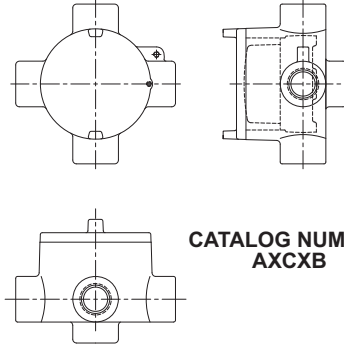
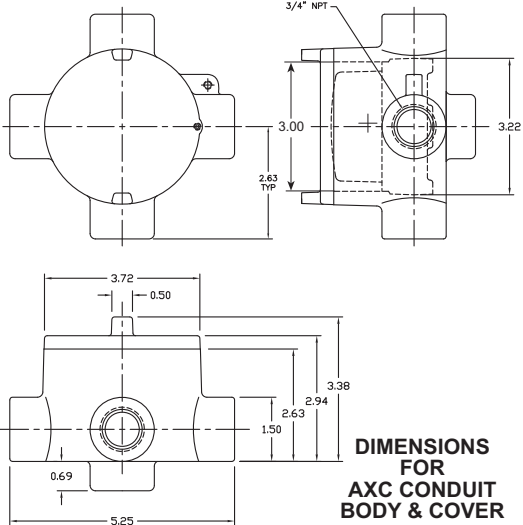
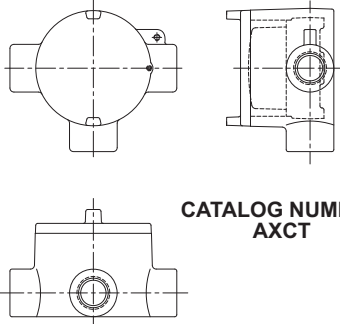
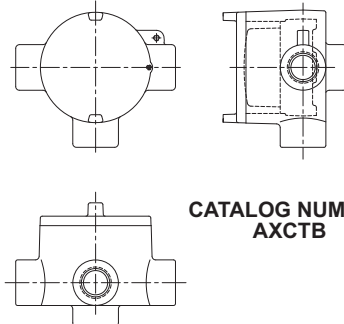
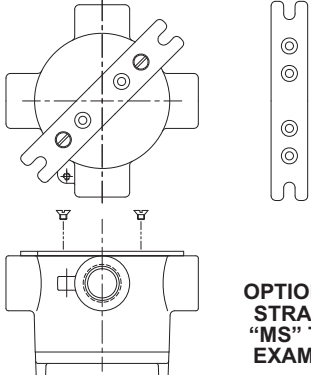
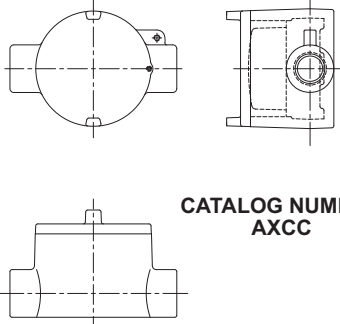
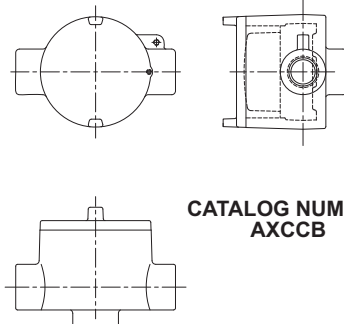
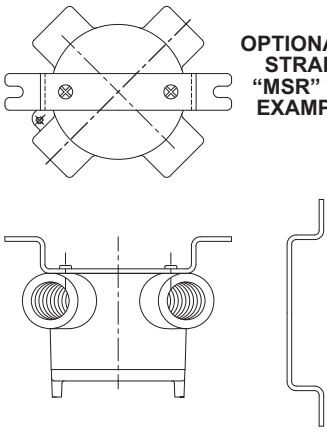
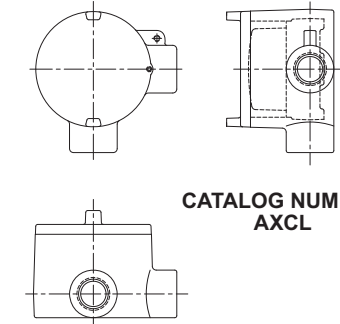
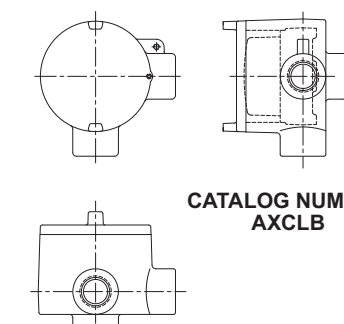
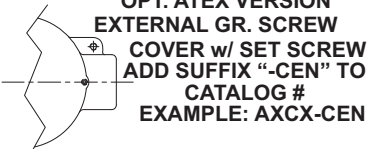
ATEX Certification: (Optional)

- If ATEX Certification is required, please specify.
Add “-CEN” to Part Number to designate ATEX. (Optional)
Certain Features are added to the AXC Series if ATEX is required:
- External Ground Screw
 - Cover with Set Screw



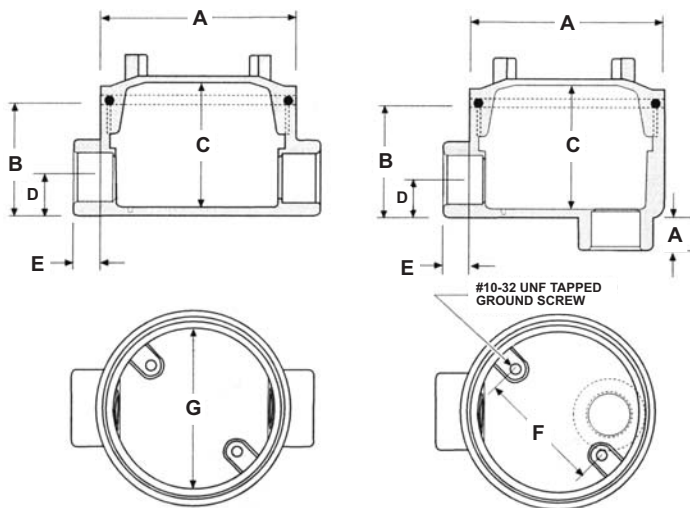


Explosion-Proof Conduit Outlet Boxes "AXC Series"

 <p>CATALOG NUMBER AXCX</p>	 <p>CATALOG NUMBER AXCXB</p>	 <p>DIMENSIONS FOR AXC CONDUIT BODY & COVER</p>
 <p>CATALOG NUMBER AXCT</p>	 <p>CATALOG NUMBER AXCTB</p>	 <p>OPTIONAL FLAT MTG. STRAP ADD SUFFIX "MS" TO CATALOG # EXAMPLE: AXCXMS</p>
 <p>CATALOG NUMBER AXCC</p>	 <p>CATALOG NUMBER AXCCB</p>	 <p>OPTIONAL RAISED MTG. STRAP ADD SUFFIX "MSR" TO CATALOG # EXAMPLE: AXCXMSR</p>
 <p>CATALOG NUMBER AXCL</p>	 <p>CATALOG NUMBER AXCLB</p>	 <p>OPT. ATEX VERSION EXTERNAL GR. SCREW COVER w/ SET SCREW ADD SUFFIX "-CEN" TO CATALOG # EXAMPLE: AXCX-CEN</p>

Explosion-Proof Conduit Outlet Bodies "GR Series"

"Akron Conduit Fittings are your best source for a high-quality product at a great price - Manufactured under International Standards."



Features:

- Diecast Aluminum produced at high pressure in permanent molds
- Compressed Aluminum with porosity control
- 11 models with 1, 2, 3, 4 and 5 hubs
- Explosion-Proof of ethyl ether, ethylene, hydrogen*, butane, propane, methane, gasoline, etc.
- Provide access to conductors for maintenance and future system changes
- Acts as a pull and splice box
- Provides for change in conduit direction
- Electrostatic powder coating to reinforce the natural endurance against corrosion
- Smooth conduit stop in each hub to protect conductor insulation
- Ground Screw included
- O-Ring included to prevent humidity - Meets NEMA 4 requirements
- Threaded joint in body and cover are precision machined to allow internal gas to be dissipated and cooled
- Two mounting means for electrical fixtures
- Copper-free aluminum
- "NPT" threads for rigid conduit
- Mounting Strap available (optional)



Certificate Number 03.059.1

ISO 9001 With Design

Approvals:

- UL CLASSIFIED - Standard 886 - E94590
- CSA Certified (Canada) - Standard C22.2 No. 30-M1984 - LR64264

Compliances:

- N.E.C. - Class. I, Div. 1 & 2 Groups B*, C & D
- Class. II, Div. 1 & 2 Groups E, F & G
- Class. III
- NEMA 3, 4, 7 & 9
- * = Group B authorized only by CSA

Dimensions

TRADE SIZE	DIMENSIONS (INCHES)						
	A	B	C	D	E	F	G
1/2" (12.7mm)	3.64	2.10	2.21	.70	.45	2.28	3.27
3/4" (19.0mm)	3.64	2.10	2.21	.70	.45	2.28	3.27
1" (25.4mm)	3.64	2.5	2.61	.94	.58	2.28	3.27
1-1/4" (31.8mm)	5.76	3.81	3.85	1.22	.77	3.97	5.00
1-1/2" (38.1mm)	5.76	3.81	3.85	1.22	.77	3.97	5.00
2" (50.8mm)	5.76	4.25	4.24	1.51	.80	3.97	5.00



Explosion-Proof Conduit Outlet Bodies

1 HUB



HUB SIZE	PART NUMBER
1/2"	GRE-0447
3/4"	GRE-0448
1"	GRE-0582
1 1/4"	GRE-0587
1 1/2"	GRE-0598
2"	GRE-0603

2 HUB



HUB SIZE	PART NUMBER
1/2"	GREZ-0466
3/4"	GREZ-0467
1"	GREZ-0583
1 1/4"	GREZ-0588
1 1/2"	GREZ-0599
2"	GREZ-0604

2 HUB



HUB SIZE	PART NUMBER
1/2"	GRC-0443
3/4"	GRC-0444
1"	GRC-0556
1 1/4"	GRC-0589
1 1/2"	GRC-0561
2"	GRC-0580

3 HUB



HUB SIZE	PART NUMBER
1/2"	GRCZ-0464
3/4"	GRCZ-0465
1"	GRCZ-0557
1 1/4"	GRCZ-0590
1 1/2"	GRCZ-0563
2"	GRCZ-0581

2 HUB



HUB SIZE	PART NUMBER
1/2"	GRL-0439
3/4"	GRL-0440
1"	GRL-0546
1 1/4"	GRL-0591
1 1/2"	GRL-0558
2"	GRL-0576

3 HUB



HUB SIZE	PART NUMBER
1/2"	GRLZ-0460
3/4"	GRLZ-0461
1"	GRLZ-0573
1 1/4"	GRLZ-0592
1 1/2"	GRLZ-0574
2"	GRLZ-0577

3 HUB



HUB SIZE	PART NUMBER
1/2"	GRT-0441
3/4"	GRT-0442
1"	GRT-0547
1 1/4"	GRT-0593
1 1/2"	GRT-0559
2"	GRT-0578

4 HUB



HUB SIZE	PART NUMBER
1/2"	GRTZ-0462
3/4"	GRTZ-0463
1"	GRTZ-0555
1 1/4"	GRTZ-0594
1 1/2"	GRTZ-0560
2"	GRTZ-0579

4 HUB



HUB SIZE	PART NUMBER
1/2"	GRX-0449
3/4"	GRX-0450
1"	GRX-0585
1 1/4"	GRX-0595
1 1/2"	GRX-0601
2"	GRX-0606

5 HUB



HUB SIZE	PART NUMBER
1/2"	GRXZ-0468
3/4"	GRXZ-0469
1"	GRXZ-0586
1 1/4"	GRXZ-0596
1 1/2"	GRXZ-0602
2"	GRXZ-0607

2 HUB



HUB SIZE	PART NUMBER
1/2"	GRB-0445
3/4"	GRB-0446
1"	GRB-0584
1 1/4"	GRB-0597
1 1/2"	GRB-0600
2"	GRB-0605

Explosion-Proof Sealing Fittings “EYS Series”

“Akron Conduit Fittings are your best source for a high-quality product at a great price.”

Features:

Restricts the passage of gases, vapors, liquids, dust and flames from one portion of the electric installation to another at atmospheric pressure and normal ambient temperatures.

For use with rigid and IMC conduit

NPT threads for correct adjustment and sealed to insure ground continuity

Electrostatic powder coating to reinforce the natural endurance against corrosion

“DIE CAST” copper-free aluminum with porosity control produced at high pressure in permanent molds.

Required where cables (which exceed rate of gas or vapor transmission permitted for seals) are used in Class I, Division 2 locations

Required in Class I, Division 1 & 2 locations at the boundary where conduit leaves classified location.

Rain-tight construction



Certificate Number 03.059.1

ISO 9001 With Design

Approvals:

UL CLASSIFIED - Standard 886 - E208115

CSA Certified (Canada) - Standard C22.2 No. 30-M1984 - LR64264

Compliances:

N.E.C. - Class. I, Div. 1 & 2 Groups A*, B*, C & D;

Class. II, Div. 1 & 2 Groups E, F & G

Class. III, Div. 1 & 2

* = Group A & B authorized only by CSA

Versatile Option:

Removable NIPPLE that turns seal into male thread



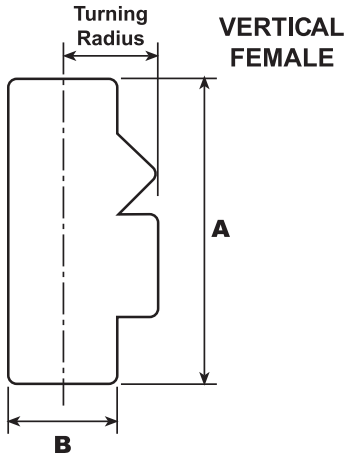
**Vertical Female
or
Horizontal Female**

Hub Sizes Available
1/2", 3/4", 1", 1-1/4", 1-1/2" & 2"

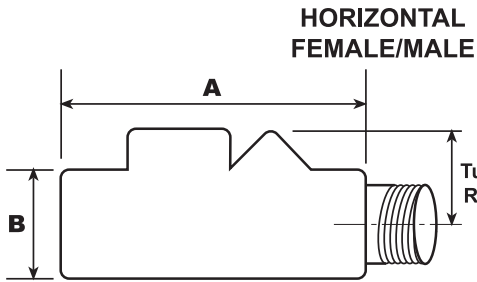




Explosion-Proof Sealing Fittings



Hub Size - NPT	Inches		
	A	B	Turning Radius
1/2"	3.82"	1.33"	1.26"
3/4"	3.82"	1.33"	1.26"
1"	4.25"	2.09"	1.46"
1-1/2"	5.51"	2.28"	2.12"
2"	5.98"	2.91"	2.32"



Features:

Akron Electric Sealing Cement is used to avoid the passage of gases, vapors or flames from one electrical installation to another at normal atmospheric pressure and temperature. It expands slightly to form a hermetic seal. It is also resistant to solvents, acids, water and oil.

The mineral wool is used to form a dam that prevents drainage into the conduit when cement is poured into the seal.

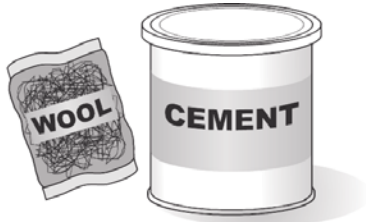
Sealing Cement & Packing Fiber shipped standard with fittings; if extra is needed - consult factory (P/N: CE-2571 2 lb. Can)

Instructions:

Fittings are to be installed within 6" of a device that produces sparks, arcs or high temperature.

The thickness of the sealing compound shall not be less than the trade size of a conduit and in no case less than 5/8".

Specifications are subject to change.



Sealing Cement

EQUIVALENCE TABLE

Figure	Hub Size	Akron Electric catalog	OZ Gedney catalog	Appleton catalog	Crouse Hinds catalog	Killark catalog	Adalet catalog
	1/2" NPT	EYS-0452	EYA-50	EYF-50 AL	EYS-11	ENY-1	XYB-2
		EYS-0452-N	EYAM-50	EYM-50 AL	EYS-116	ENY-1-T	EYBM-2
	3/4" NPT	EYS-0453	EYA-75	EYF-75 AL	EYS-21	ENY-2	XYB-3
		EYS-0453-N	EYAM-75	EYM-75 AL	EYS-216	ENY-2-T	XYBM-3
	1" NPT	EYS-0550	EYA-100	EYF-100 AL	EYS-31	ENY-3	XYB-4
		EYS-0550-N	EYAM-100	EYM-100 AL	EYS-316	ENY-3-T	XYBM-4
	1-1/4" NPT	EYS-2633	EYA-125	EYF-125 AL	EYS-41	ENY-4	XYB-5
		EYS-2633-N	EYAM-125	EYF-125 AL	EYS-416	ENY-4-T	XYBM-5
	1-1/2" NPT	EYS-2634	EYA-150	EYF-150 AL	EYS-51	ENY-5	XYB-6
		EYS-2634-N	EYAM-150	EYM-150 AL	EYS-516	ENY-5-T	XYBM-6
	2" NPT	EYS-2635	EYA-200	EYF-200 AL	EYS-61	ENY-6	XYB-8
		EYS-2635-N	EYAM-200	EYM-200 AL	EYS-616	ENY-6-T	XYBM-8

Explosion-Proof Conduit Unions

“Akron Conduit Unions are your best complement for seals & fittings manufactured with high-quality and the best lead times in the industry.”

Features:

Conduit Unions are best used to connect conduit to conduit fittings to allow disassembly without turning the conduit.

Diecast copper-free aluminum

Matching grooves to have a perfect seal

NPT threaded for use with RIGID conduit

Precision threads assure ground continuity

Electrostatic powder epoxy/polyester coating

Hex design



Certificate
Number
03.059.1

**ISO
9001 With Design**

Approvals:

UL CLASSIFIED - Standard 886 - E208115

CSA Certified (Canada) - Standard C22.2 No. 30-M1984 - LR64264

Compliances:

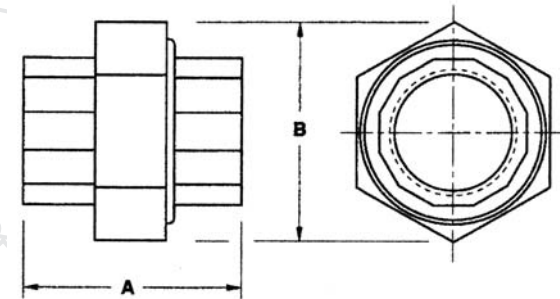
Class. I, Div. 1 & 2 Groups C & D

Class. II, Div. 1, Groups E, F & G

Class. II, Div. 2, Groups F & G

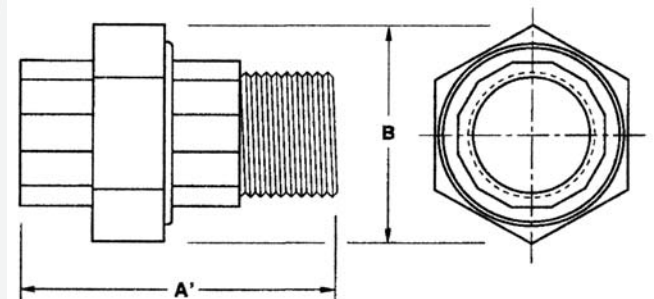
Class. III

NEMA 7 - C & D, 9 - E, F & G



FEMALE CONDUIT UNION

CATALOG NO.	NOMINAL SIZE	LENGTH A	OUTSIDE B
	inches	inches	inches
TU-2992	1/2	1.73	2.00
TU-2993	3/4	1.73	2.20
TU-2994	1	2.04	2.44
TU-2995	1-1/4	2.20	3.03
TU-2996	1-1/2	2.38	3.27
TU-2997	2	2.77	4.06



MALE CONDUIT UNION

CATALOG NO.	NOMINAL SIZE	LENGTH A	OUTSIDE B
	inches	inches	inches
TU-2992-N	1/2	3.03	2.00
TU-2993-N	3/4	3.03	2.20
TU-2994-N	1	3.58	2.44
TU-2995-N	1-1/4	3.90	3.03
TU-2996-N	1-1/2	4.17	3.27
TU-2997-N	2	4.65	4.06



Explosion-Proof Breather / Drain Series

XBD-50 BREATHER/DRAIN CONDUIT FITTING

Conduit Fitting for Hazardous Location 35BN



BREATHER



DRAIN

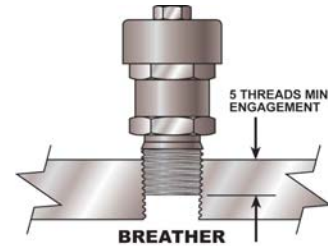


LR64624



35BN

FILE NO. E208115



FEATURES:

- The **XBD-50** is a thread-in-thread design for a conduit hole size of 1/2" NPT and is for use in Class I, Division 1 & 2, Groups A, B, C & D; Class II, Division 1 & 2, Groups E, F & G; Class III areas; as well as NEMA 3R for out door use. The capability of the XBD-50 is to pass 0.02 cubic feet of air per minute and 0.7cc of water per minute. Criteria measured at atmospheric pressure (14.7 lbs.)
- Made of stainless steel for corrosive applications.

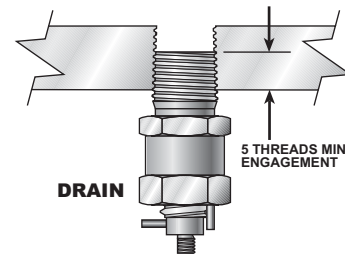
APPLICATION:

- **XBD-50** breather and drains are installed in enclosures or conduit systems to:
 - Provide ventilation to minimize condensation.
 - Drain accumulated condensation.
- At least one breather should be installed with each drain.
- Breathers (vents), are installed in the top of enclosures to provide ventilation to minimize condensation in enclosures.
- Drains are installed in bottom's of enclosures or conduit systems. Drains are used in environments of humid atmospheres or wet locations where it is likely or possible that water can gain entrance to the interiors of enclosures. The conduit entryways should be positioned so that no water may collect in enclosures or seals, but may exit out through the XBD-50 through a low point within the enclosure.

INSTALLATION:

Breather

- Insert the threaded end of the **XBD-50** into the 1/2" NPT thru hole located on the top/front back/side of enclosure.
- Securely tighten in place.
- Frequently, twist cap counter-clockwise 180 and then clockwise 180 several times to break-up possible clogging and build-up of dust particles on breather threads. For normal applications, this procedure is a service recommended monthly for maintenance purposes.



Drain

- Remove nut by, using 7/16" wrench or socket, located above cap.
- Remove cap and fiber washer from XBD-50 insert.
- Insert the threaded end of the XBD-50 into the 1/2" NPT thru hole located on the bottom of enclosure only.
- Securely tighten in place.
- Frequently, twist insert counter-clockwise 180 and then clockwise 180 several times to break up possible clogging and build up of dust particles on drain threads. For normal applications, this procedure is a service recommended monthly for maintenance purposes.

Quality Aluminum Castings Akron Foundry Company



Akron Foundry Company
2728 Wingate Ave.
Akron, OH 44314
330-745-3101, 330-745-7999 - fax
www.akronfoundry.com

*Servicing the Aluminum Foundry Industry
Since 1950*



Akron Foundry - Plant 1
2728 Wingate Ave.



Akron Foundry - Pattern Shop - Plant 2
2705 Wingate Ave.



Akron Electric - Plant 3
1025 Eagon St.



Akron Foundry - Plant 4
1434 Waterloo Rd.

Akron Foundry Company is a fully self-contained aluminum foundry that produces aluminum products in permanent mold, low-pressure permanent mold, squeezer-mold and sand castings. The company also includes its own production assembly, core making process, pattern making process, mold shops, heat treating and quality control. Quality control includes X-Ray, spectograph, 3-Axis Layout, and destructive testing procedures.

Akron Foundry is the parent company to Akron Electric, Inc. and provides quality aluminum enclosures to Akron Electric to service the Explosion-Proof industry. The company was built on many generations of family-oriented employees. All of the companies in the Akron Foundry Co. portfolio pride themselves on being extremely customer oriented, safety oriented and driven by the quality of the products that we manufacture.

The core product line for Akron Foundry Co. includes the Breakaway Transformer Bases that are used across the U.S. for highway lighting. The main advantage of these bases include the ability to create a safe environment for drivers by allowing the light poles to "Break Away" when hit. This feature increases passenger safety and extends pole life.

In addition to the Breakaway Transformer Bases, the foundry also produces many other products including different types of highway lighting bases, a multitude of aluminum parts for the trucking industry, a support structure for the PET scan and CAT scan industries, enclosures for the explosion-proof industry and other various aluminum parts and products.

We appreciate your interest in our company and we give thanks to the many customers that have supported us throughout the years of our company's existence; and most of all to our dedicated employees who make our products and company so successful in the market place.

*Sincerely,
The Akron Foundry Co.
Management & Employees*



X
P
F
I
T
T
I
N
G
S



AKRON ELECTRIC, INC. EXPLOSION-PROOF ENCLOSURES

A Division of the Akron Foundry Company - Quality Aluminum Castings since 1950
Sand, Permanent Mold & Low Pressure Permanent Mold

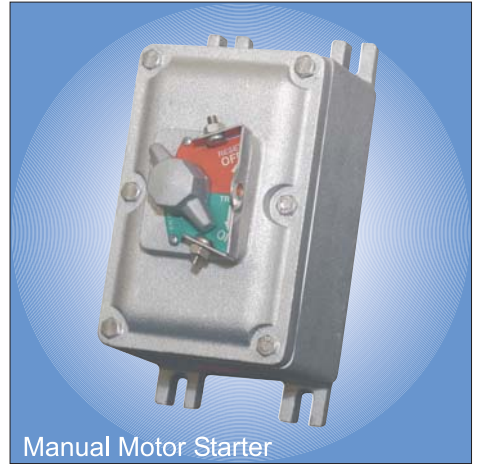
Customized Products for Specialized Needs



CXJ 34x68x10



CXJ Series Control Station



Manual Motor Starter



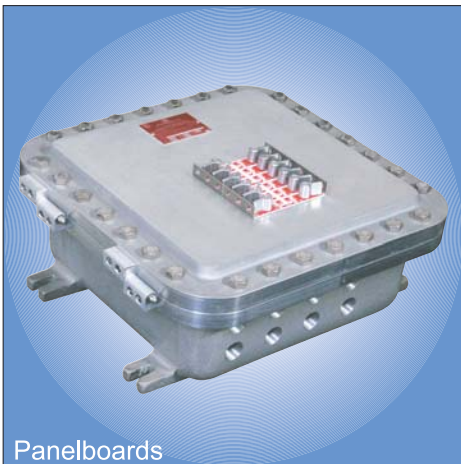
Combination Motor Starter



Fused / Non-Fused Disconnects



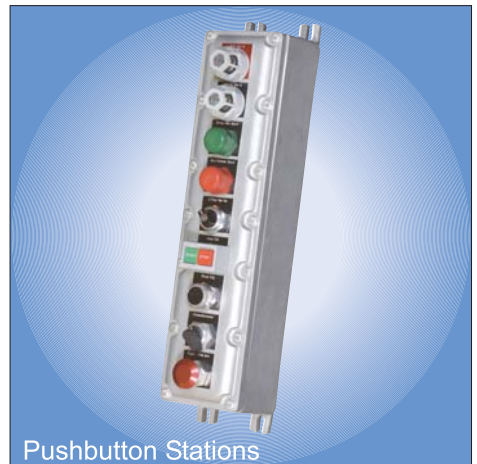
ATEX w / custom machining



Panelboards



Custom Windows



Pushbutton Stations

Note: The information in this catalog is subject to change at any time. All dimensions and drawings are for reference only. AKRON ELECTRIC is not responsible for any errors within this catalog. All data, images, drawings, dimensions, etc. were provided with the best information available at the time of the creation of this piece of literature and is being provided to the market in good faith.

Akron Electric, Inc.

1025 Eagon Street Barberton, Ohio 44203 Ph: 330-745-8891 Fax: 330-745-2504
www.akronelectric.com e-mail: sales@akronelectric.com